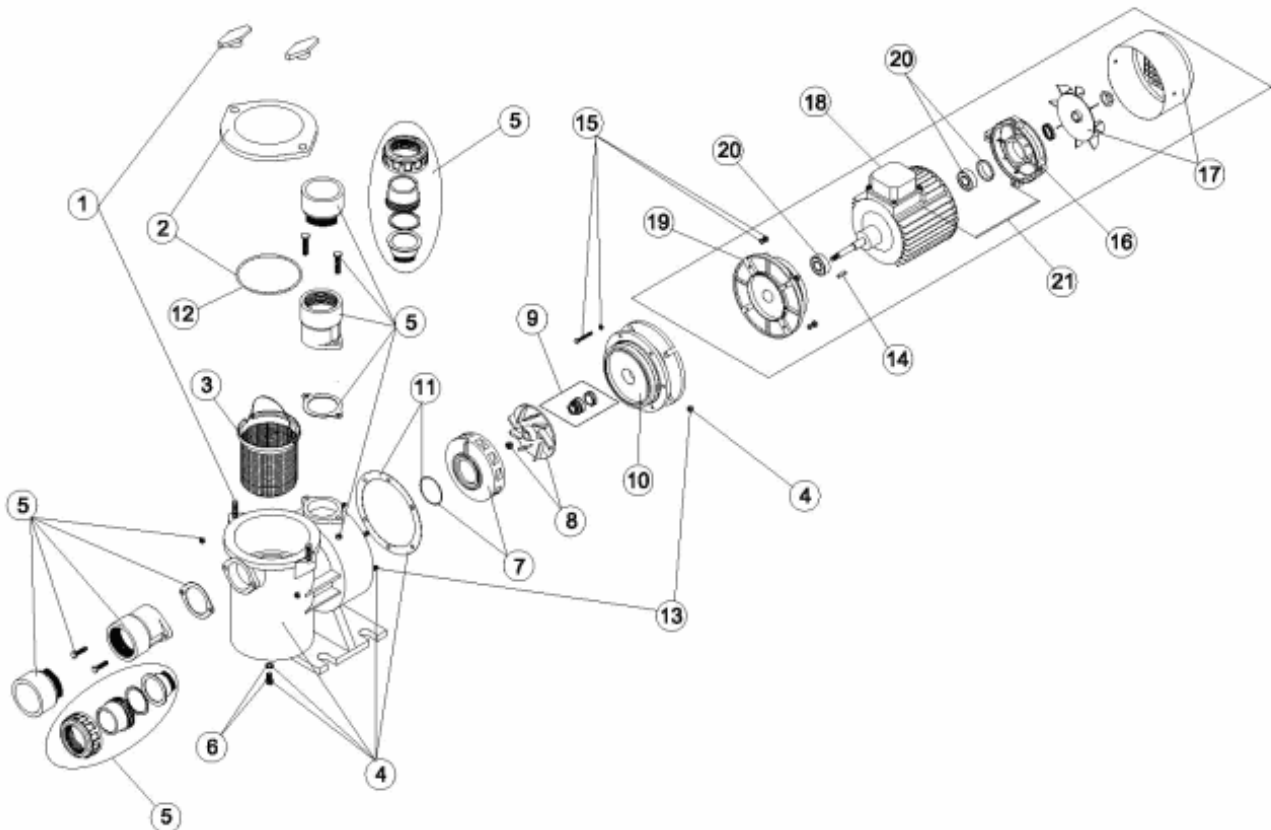


CODE **01186, 01187, 01188, 01189, 01190, 01191, 01192**

BESCHREIBUNG: **PUMPE SELF-PRIMING SELBSTANSAUGEND**



DEUTSCHE

| POS | CODE | BESCHREIBUNG | POS | CODE | BESCHREIBUNG |
|-----|------------|--|-----|------------|---------------------------------------|
| 1 | 4405010501 | VERSCHLUSS VORFILTER 2HP | 8 | 4405010516 | LAUFRAD 2 HP |
| 1 | 4405010502 | VERSCHLUSS VORFILTER VON 3 HP AUF 5,5 HP | 8 | 4405010517 | LAUFRAD 3 HP |
| 2 | 4405010503 | VORFILTERDECKEL 2 HP | 8 | 4405010518 | LAUFRAD 4 HP |
| 2 | 4405010504 | DECKEL VORFILTER VON 3 HP AUF 5,5 HP | 8 | 4405010519 | LAUFRAD 5,5 HP |
| 3 | 4405010505 | VORFILTERKORB 2 HP | 9 | 4405010520 | GLEITRINGDICHTUNG 2-5,5 HP |
| 3 | 4405010506 | VORFILTERKORB 3 - 5,5 HP | 10 | 4405010521 | HALTER MOTOR 2 HP |
| 4 | 4405010507 | PUMPENKÖRPER 2 HP | 10 | 4405010522 | HALTER MOTOR VON 3CV BIS 4 HP |
| 4 | 4405010508 | PUMPENKÖRPER 3 - 5,5 HP | 10 | 4405010523 | HALTER MOTOR 5,5 HP |
| 5 | 4405010509 | ANSCHLUSS SAUG/DRUCK 2 HP | 11 | 4405010524 | DICHTUNGEN PUMPE 2 HP |
| 5 | 4405010510 | ANSCHLUSS SAUG/DRUCK 3 HP | 11 | 4405010525 | DICHTUNGEN PUMPE VON 3 HP BIS 5,5 HP |
| 5 | 4405010511 | ANSCHLUSS SAUG/DRUCK 3 HP | 12 | 4405010526 | DICHTUNGEN 2 HP |
| 6 | 4405020232 | ABLASSSCHRAUBE VORFILTER | 12 | 4405010527 | DICHTUNGEN 3 - 5,5 HP |
| 7 | 4405010513 | DIFFUSOR 2 HP | 13 | 4405010528 | SCHRAUBENZUBEHÖR FÜR PUMPE 2 HP |
| 7 | 4405010514 | DIFFUSOR 3 HP | 13 | 4405010529 | SCHRAUBENZUBEHÖR FÜR PUMPE 3 - 5,5 HP |
| 7 | 4405010515 | DIFFUSOR 4 - 5,5 HP | 14 | 4405010531 | PASSFEDER MOTOR |

CODE **01186, 01187, 01188, 01189, 01190, 01191, 01192**

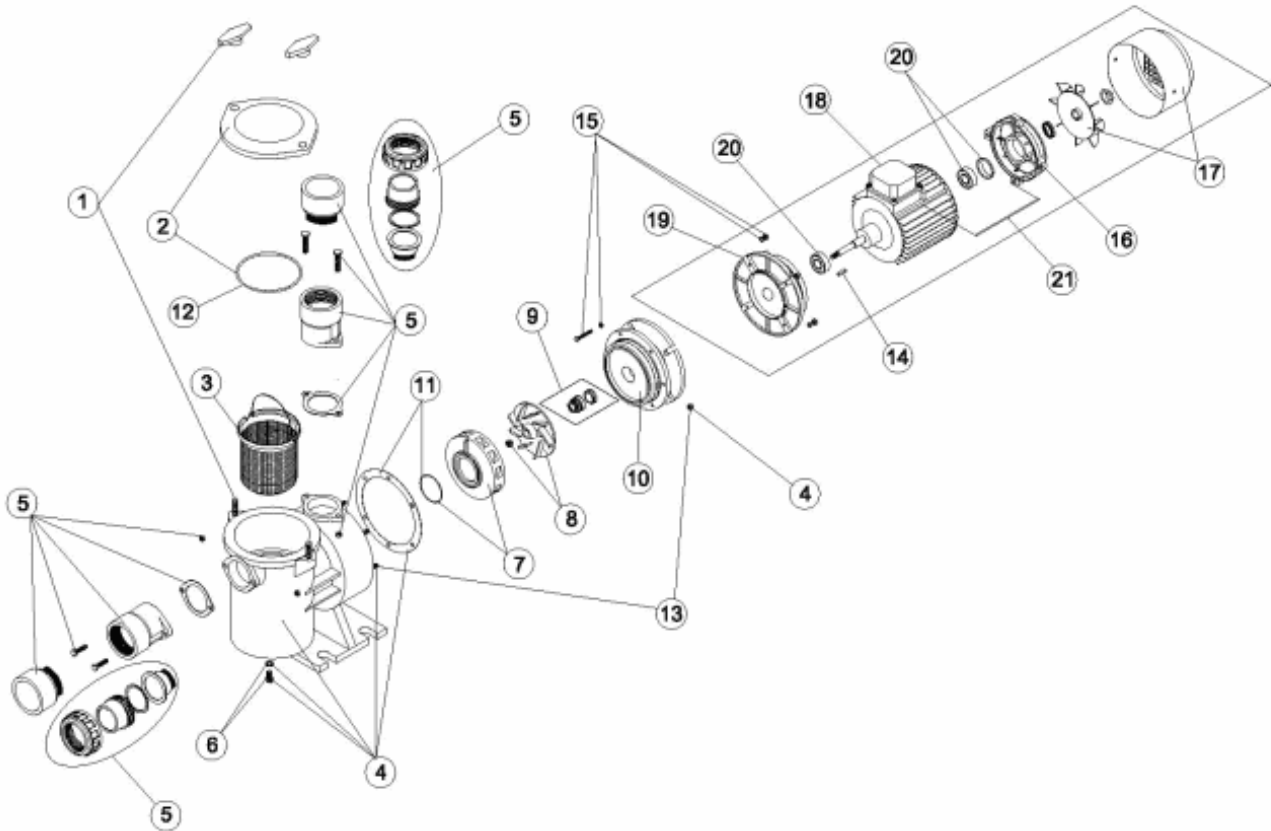
BESCHREIBUNG: **PUMPE SELF-PRIMMING SELBSTANSAUGEND**

DEUTSCHE

| POS | CODE | BESCHREIBUNG | POS | CODE | BESCHREIBUNG |
|-----|------------|---|-----|------------|-----------------------------------|
| 15 | 4405010530 | SCHRAUBENSATZ HALTER MOTOR VON 3 - 4 HP | 19 | 4405020252 | MOTORDECKEL VORN 3 - 4 HP |
| 15 | 4405010533 | SCHRAUBENSATZ HALTER MOTOR VON 5,5 HP | 19 | 4405020253 | MOTORDECKEL VORN 4 HP |
| 16 | 4405020241 | MOTORDECKEL HINTEN 2 - 4 HP | 20 | 4405020238 | WÄZLAGER 6205 ZZ C3 2 HP BIS 4 HP |
| 16 | 4405020242 | MOTORDECKEL HINTEN 5,5 HP | 20 | 4405020239 | WÄZLAGER 6206 4 HP |
| 17 | 4405020244 | SET VENTILATOR + DECKEL 2 HP BIS 4 HP | 21 | 4405020320 | SPANNSTANGE MOTOR |
| 17 | 4405020245 | SET VENTILATOR + DECKEL 5,5 HP | 21 | 4405020250 | SPANNSTANGE MOTOR 3 HP BIS 5,5 HP |
| 18 | 4405020247 | SET VERTEILERDOS 3 HP BIS 4 HP | | | |

CODE **01186, 01187, 01188, 01189, 01190, 01191, 01192**

DESCRIPTION: **SELF-PRIMING PUMP**



ENGLISH

| POS | CODE | DESCRIPTION | POS | CODE | DESCRIPTION |
|-----|------------|---------------------------------------|-----|------------|------------------------------|
| 1 | 4405010501 | PRE-FILTER CLOSURE 2HP | 8 | 4405010516 | IMPELLER 2 HP |
| 1 | 4405010502 | PRE-FILTER CLOSURE FOR 3 HP TO 5.5 HP | 8 | 4405010517 | IMPELLER 3 HP |
| 2 | 4405010503 | PRE-FILTER COVER 2 HP | 8 | 4405010518 | IMPELLER 4 HP |
| 2 | 4405010504 | PRE-FILTER COVER 3 HP TO 5.5 HP | 8 | 4405010519 | IMPELLER 5,5 HP |
| 3 | 4405010505 | PRE-FILTER BASKET 2 HP | 9 | 4405010520 | MECHANICAL SEAL 2-5,5 HP |
| 3 | 4405010506 | PRE-FILTER BASKET 3 - 5,5 HP | 10 | 4405010521 | MOTOR SUPPORT 2 HP |
| 4 | 4405010507 | PUMP BODY 2 HP | 10 | 4405010522 | MOTOR SUPPORT 3 HP TO 4 HP |
| 4 | 4405010508 | PUMP BODY 3 - 5,5 HP | 10 | 4405010523 | MOTOR SUPPORT 5.5 HP |
| 5 | 4405010509 | SUCTION/RETURN UNION 2 HP | 11 | 4405010524 | PUMP GASKETS 2 HP |
| 5 | 4405010510 | SUCTION/RETURN UNION 3 HP | 11 | 4405010525 | PUMP GASKETS 3 HP TO 5.5 HP |
| 5 | 4405010511 | SUCTION/RETURN UNION | 12 | 4405010526 | GASKETS 2 HP |
| 6 | 4405020232 | PRE-FILTER DRAIN PLUG | 12 | 4405010527 | GASKETS 3 - 5,5 HP |
| 7 | 4405010513 | DIFFUSOR 2 HP | 13 | 4405010528 | BACK PLATE SCREWS 2 HP |
| 7 | 4405010514 | DIFFUSOR 3 HP | 13 | 4405010529 | BACK PLATE SCREWS 3 - 5,5 HP |
| 7 | 4405010515 | DIFFUSOR 4 - 5,5 HP | 14 | 4405010531 | MOTOR PIN |

CODE **01186, 01187, 01188, 01189, 01190, 01191, 01192**

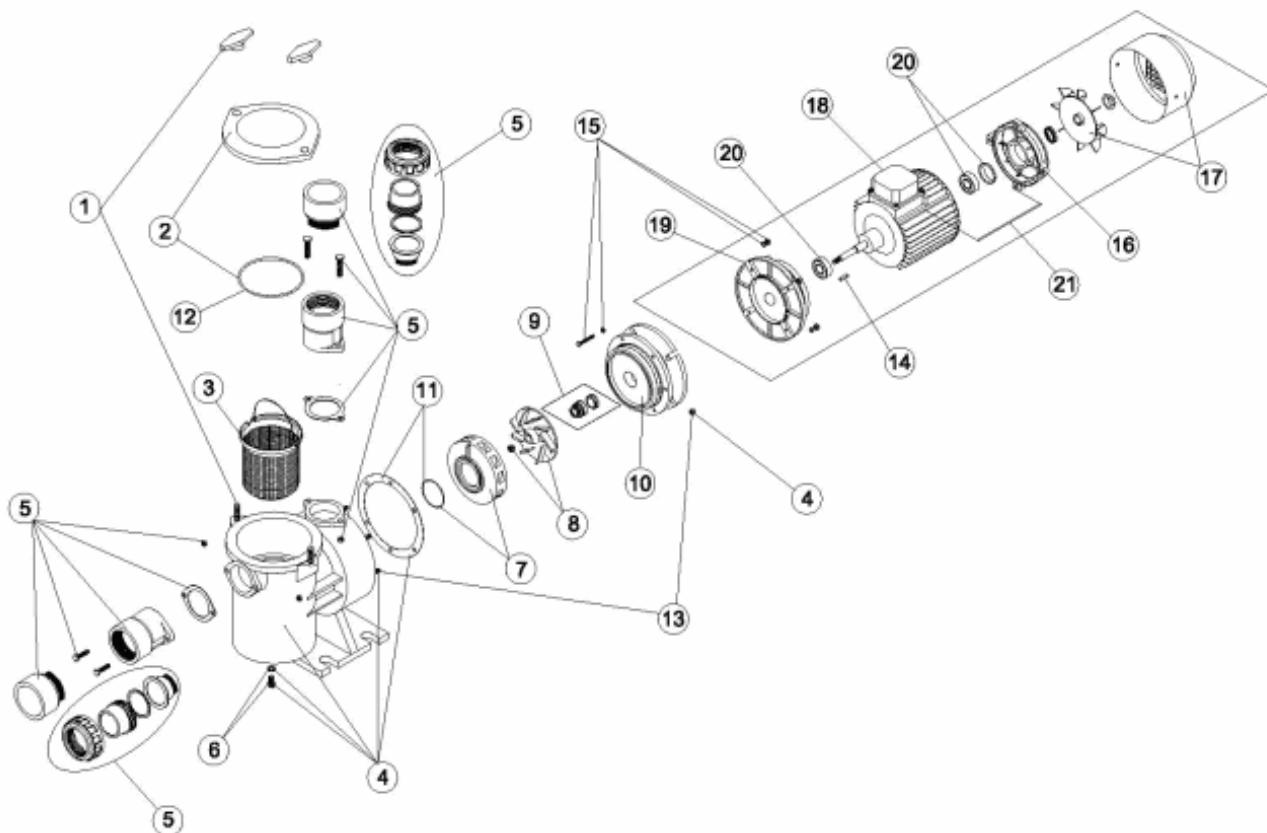
DESCRIPTION: **SELF-PRIMING PUMP**

ENGLISH

| POS | CODE | DESCRIPTION | POS | CODE | DESCRIPTION |
|-----|------------|--|-----|------------|-----------------------------------|
| 15 | 4405010530 | MOTOR BRACKET BOLTS 3 - 4 HP | 19 | 4405020252 | FRONT MOTOR COVER 3 - 4 HP |
| 15 | 4405010533 | MOTOR BRACKET BOLTS 5,5 HP | 19 | 4405020253 | FRONT MOTOR COVER 4 HP |
| 16 | 4405020241 | REAR MOTOR COVER 2 - 4 HP | 20 | 4405020238 | BEARINGS 6205 ZZ C3, 2 HP TO 4 HP |
| 16 | 4405020242 | REAR MOTOR COVER 5,5 HP | 20 | 4405020239 | BEARING 6206, 4 HP |
| 17 | 4405020244 | FAN + COVER ASSEMBLY FOR 2 HP TO 4 HP | 21 | 4405020320 | MOTOR SUPPORT |
| 17 | 4405020245 | FAN + COVER ASSEMBLY 5.5 HP | 21 | 4405020250 | MOTOR SUPPORT 3 HP TO 5.5 HP |
| 18 | 4405020247 | CONNECTION BOX ASSEMBLY FOR 3 HP TO 4 HP | | | |

CODIGO 01186, 01187, 01188, 01189, 01190, 01191, 01192

DESCRIPCION: BOMBA SELF-PRIMMING AUTOASPIRANTE



ESPAÑOL

| POS | CODIGO | DESCRIPCION | POS | CODIGO | DESCRIPCION |
|-----|------------|---|-----|------------|--|
| 1 | 4405010501 | CIERRE PREFILTRO DE 2 HP | 8 | 4405010516 | RODETE 2 HP |
| 1 | 4405010502 | CIERRE PREFILTRO DE 3 - 5,5 HP | 8 | 4405010517 | RODETE 3 HP |
| 2 | 4405010503 | TAPA PREFILTRO 2 HP | 8 | 4405010518 | RODETE 4 HP |
| 2 | 4405010504 | TAPA PREFILTRO DE 3 - 5,5 HP | 8 | 4405010519 | RODETE 5,5 HP |
| 3 | 4405010505 | CESTO PREFILTRO 2 CV | 9 | 4405010520 | JUNTA MECANICA DE 2 HP A 5,5 HP |
| 3 | 4405010506 | CESTO PREFILTRO DE 3 - 5,5 HP | 10 | 4405010521 | SOPORTE MOTOR 2 HP |
| 4 | 4405010507 | CUERPO BOMBA 2 HP | 10 | 4405010522 | SOPORTE MOTOR 3 - 4 HP |
| 4 | 4405010508 | CUERPO BOMBA DE 3 HP A 5,5 HP | 10 | 4405010523 | SOPORTE MOTOR 5,5 HP |
| 5 | 4405010509 | UNION ASPIRACION/IMPULSION 2 HP | 11 | 4405010524 | JUNTAS BOMBA 2 HP |
| 5 | 4405010510 | UNION ASPIRACION/IMPULSION 3 HP | 11 | 4405010525 | JUNTAS BOMBA DE 3 - 5,5 HP |
| 5 | 4405010511 | UNION ASPIRACION/IMPULSION DE 4 HP A 5,5 HP | 12 | 4405010526 | JUNTAS GOMA 2 HP |
| 6 | 4405020232 | TAPON PURGA PREFILTRO | 12 | 4405010527 | JUNTAS GOMA DE 3 HP A 5,5 HP |
| 7 | 4405010513 | DIFUSOR 2 HP | 13 | 4405010528 | TORNILLERIA CUERPO BOMBA 2 CV |
| 7 | 4405010514 | DIFUSOR 3 HP | 13 | 4405010529 | TORNILLERIA CUERPO BOMBA DE 3 - 5,5 HP |
| 7 | 4405010515 | DIFUSOR DE 4HP A 5,5 HP | 14 | 4405010531 | CHAVETA MOTOR |

CODIGO 01186, 01187, 01188, 01189, 01190, 01191, 01192

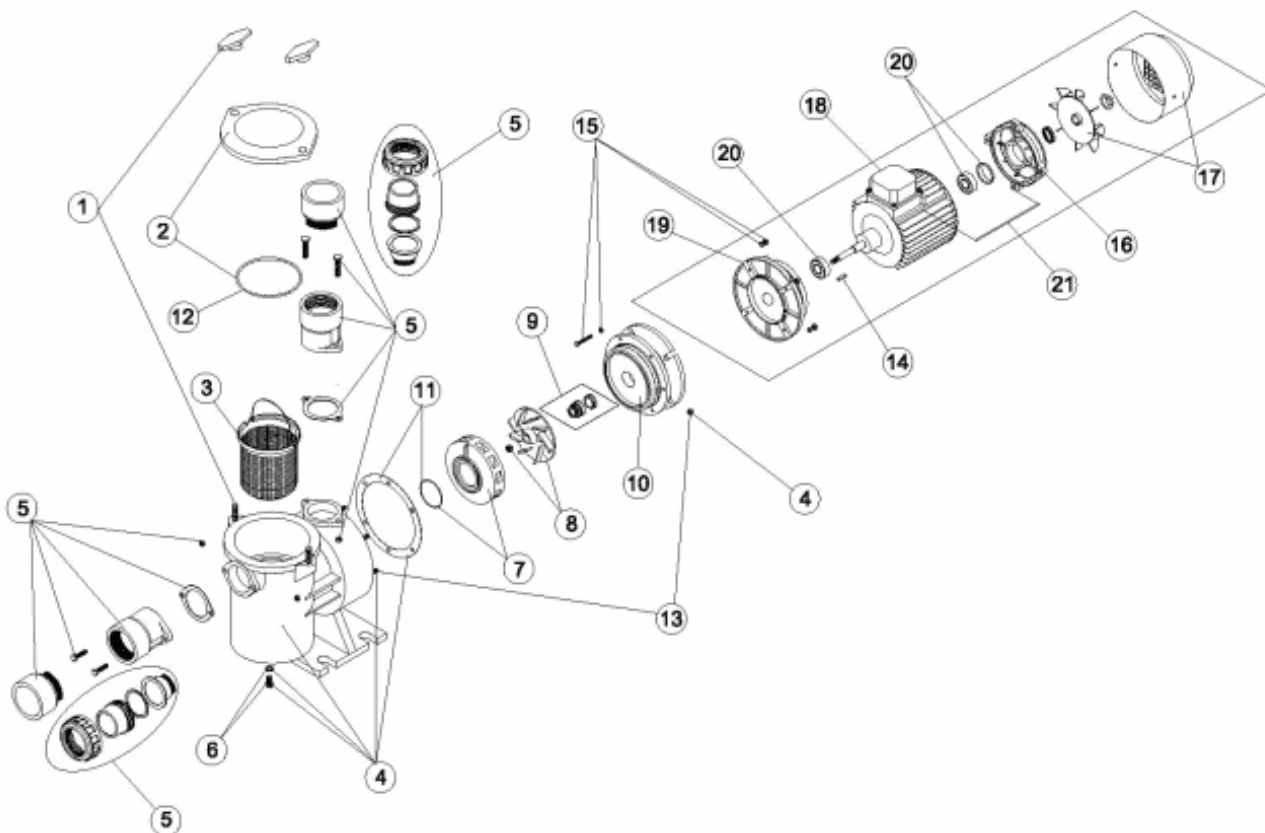
DESCRIPCION: BOMBA SELF-PRIMMING AUTOASPIRANTE

ESPAÑOL

| POS | CODIGO | DESCRIPCION | POS | CODIGO | DESCRIPCION |
|-----|------------|---------------------------------------|-----|------------|---------------------------------------|
| 15 | 4405010530 | TORNILLERIA SOPORTE MOTOR DE 3 - 4 HP | 19 | 4405020252 | TAPA DELANTERA MOTOR DE 3 - 4 HP |
| 15 | 4405010533 | TORNILLERIA SOPORTE MOTOR 5,5 CV | 19 | 4405020253 | TAPA DELANTERA MOTOR DE 4 HP |
| 16 | 4405020241 | TAPA TRASERA MOTOR DE 2 - 4 HP | 20 | 4405020238 | RODAMIENTOS 6205 ZZ C3 DE 2 HP A 4 HP |
| 16 | 4405020242 | TAPA TRASERA MOTOR 5,5 HP | 20 | 4405020239 | RODAMIENTO 6206 4 CV |
| 17 | 4405020244 | CJTO. VENTILADOR + TAPA DE 2 - 4 HP | 21 | 4405020320 | TIRANTE MOTOR |
| 17 | 4405020245 | CJTO. VENTILADOR + TAPA 5,5 HP | 21 | 4405020250 | TIRANTE MOTOR DE 3 - 5,5 HP |
| 18 | 4405020247 | CJTO. CAJA CONEXIONES DE 3 - 4 HP | | | |

CODE **01186, 01187, 01188, 01189, 01190, 01191, 01192**

DESCRIPTION: **POMPE SELF-PRIMING AUTO-ASPIRANTE**



FRANCAIS

| POS | CODE | DESCRIPTION | POS | CODE | DESCRIPTION |
|-----|------------|--------------------------------------|-----|------------|--|
| 1 | 4405010501 | FERMETURE PREFILTRE 2HP | 8 | 4405010516 | TURBINE 2 HP |
| 1 | 4405010502 | FERMETURE PREFILTRE DE 3 CV A 5,5 CV | 8 | 4405010517 | TURBINE 3 HP |
| 2 | 4405010503 | COUVERCLE PRÉFILTRE 2 HP | 8 | 4405010518 | TURBINE 4 HP |
| 2 | 4405010504 | COUVERCLE PREFILTRE DE 3 CV A 5,5 CV | 8 | 4405010519 | TURBINE 5,5 HP |
| 3 | 4405010505 | PANIER PRÉFILTRE 2 HP | 9 | 4405010520 | GARNITURE MÉCANIQUE 2-5,5 HP |
| 3 | 4405010506 | PANIER PRÉFILTRE 3 - 5,5 HP | 10 | 4405010521 | SUPPORT MOTEUR 2 CV |
| 4 | 4405010507 | CORPS POMPE 2 HP | 10 | 4405010522 | SUPPORT MOTEUR 3 CV A 4 CV |
| 4 | 4405010508 | CORPS POMPE 3 - 5,5 HP | 10 | 4405010523 | SUPPORT MOTEUR 5,5 CV |
| 5 | 4405010509 | UNION ASPIRATION/REFOULEMENT 2 HP | 11 | 4405010524 | JOINTS POMPE 2 CV |
| 5 | 4405010510 | UNION ASPIRATION/REFOULEMENT 3 CV | 11 | 4405010525 | JOINTS POMPE DE 3 CV A 5,5 CV |
| 5 | 4405010511 | UNION ASPIRATION/REFOULEMENT | 12 | 4405010526 | JOINT 2 HP |
| 6 | 4405020232 | BOUCHON PURGE PREFILTRE | 12 | 4405010527 | JOINT 3 - 5,5 HP |
| 7 | 4405010513 | DIFFUSEUR 2 HP | 13 | 4405010528 | VIS DE CORPS DE POMPE + SUPPORT CORPS 2 HP |
| 7 | 4405010514 | DIFFUSEUR 2 HP | 13 | 4405010529 | VIS DE CORPS DE POMPE + SUPPORT CORPS 3 - 5,5 HP |
| 7 | 4405010515 | DIFFUSEUR 4 - 5,5 HP | 14 | 4405010531 | GOUPILLE MOTEUR |

CODE **01186, 01187, 01188, 01189, 01190, 01191, 01192**

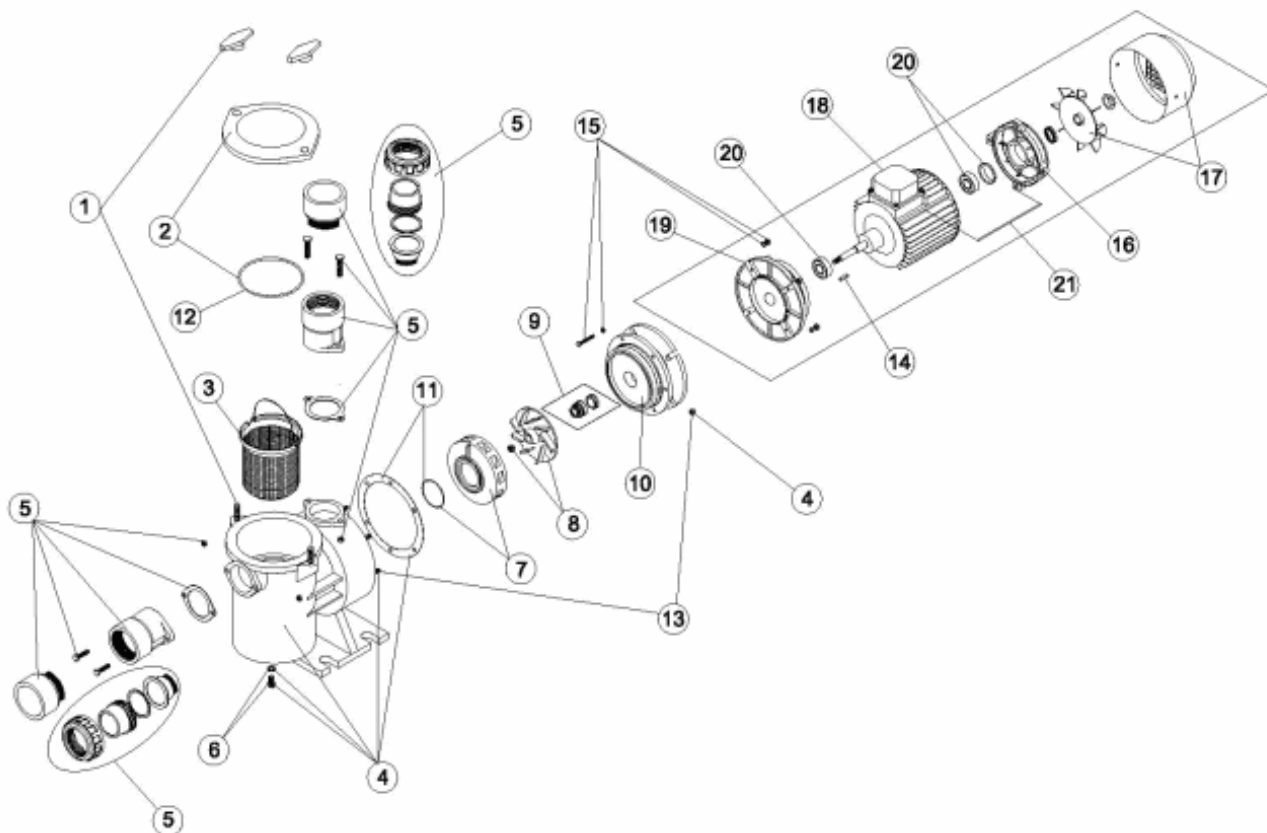
DESCRIPTION: **POMPE SELF-PRIMMING AUTO-ASPIRANTE**

FRANCAIS

| POS | CODE | DESCRIPTION | POS | CODE | DESCRIPTION |
|-----|------------|--|-----|------------|--|
| 15 | 4405010530 | VISSERIE SUPPORT MOTEUR 3 - 4 CV | 19 | 4405020252 | COUVERCLE AXE MOTEUR 3-4 HP |
| 15 | 4405010533 | VISSERIE SUPPORT MOTEUR 5,5 CV | 19 | 4405020253 | COUVERCLE AXE MOTEUR 4 HP |
| 16 | 4405020241 | COUVERCLE ARRIÈRE MOTEUR 2 - 4 HP | 20 | 4405020238 | ROULEMENTS 6205 ZZ C3 DE 2 - 4 HP |
| 16 | 4405020242 | COUVERCLE ARRIÈRE MOTEUR 5,5 HP | 20 | 4405020239 | ROULEMENT 6206 4 HP |
| 17 | 4405020244 | ENSEMBLE VENTILATEUR + COUVERCLE DE 2 - 4 HP | 21 | 4405020320 | COLLIER DE MAINTIEN MOTEUR |
| 17 | 4405020245 | ENSEMBLE VENTILATEUR + COUVERCLE 5,5 HP | 21 | 4405020250 | COLLIER DE MAINTIEN MOTEUR DE 3 - 5,5 HP |
| 18 | 4405020247 | ENSEMBLE BOITIER CONNEXION DE 3 - 4 HP | | | |

CODICE **01186, 01187, 01188, 01189, 01190, 01191, 01192**

DESCRIZIONE: **POMPA SELF-PRIMMING AUTOASPIRANTE**



ITALIANO

| POS | CODICE | DESCRIZIONE | POS | CODICE | DESCRIZIONE |
|-----|------------|-----------------------------------|-----|------------|-----------------------------------|
| 1 | 4405010501 | CHIUSURA PREFILTRO 2HP | 8 | 4405010516 | RUOTA 2 HP |
| 1 | 4405010502 | CHIUSURA PREFILTRO 3-5,5 HP | 8 | 4405010517 | RUOTA 3 HP |
| 2 | 4405010503 | COPERCHIO PREFILTRO 2 HP | 8 | 4405010518 | RUOTA 4 HP |
| 2 | 4405010504 | COPERCHIO PREFILTRO 3-5,5 HP | 8 | 4405010519 | RUOTA 5,5 HP |
| 3 | 4405010505 | CESTO PREFILTRO 2 HP | 9 | 4405010520 | GUARNIZIONE MECCANICA 2-5,5 HP |
| 3 | 4405010506 | CESTO PREFILTRO 3 - 5,5 HP | 10 | 4405010521 | SUPPORTO MOTORE 2 HP |
| 4 | 4405010507 | CORPO POMBA 2 HP | 10 | 4405010522 | SUPPORTO MOTORE 3-4 HP |
| 4 | 4405010508 | CORPO POMBA 3 - 5,5 HP | 10 | 4405010523 | SUPPORTO MOTORE 5,5 HP |
| 5 | 4405010509 | RACCORDO ASPIRAZIONE/MANDATA 2 HP | 11 | 4405010524 | GUARNIZIONI POMPA 2 HP |
| 5 | 4405010510 | RACCORDO ASPIRAZIONE/MANDATA 3 HP | 11 | 4405010525 | GUARNIZIONI POMPA 3-5,5 HP |
| 5 | 4405010511 | RACCORDO ASPIRAZIONE/MANDATA | 12 | 4405010526 | GUARNIZIONI 2 HP |
| 6 | 4405020232 | TAPPO SPURGO PREFILTRO | 12 | 4405010527 | GUARNIZIONI 3 - 5,5 HP |
| 7 | 4405010513 | DIFFUSORE 2 HP | 13 | 4405010528 | BULLONERIA CORPO POMPA 2 HP |
| 7 | 4405010514 | DIFFUSORE 3 HP | 13 | 4405010529 | BULLONERIA CORPO POMPA 3 - 5,5 HP |
| 7 | 4405010515 | DIFFUSORE 4 - 5,5 HP | 14 | 4405010531 | CHIAVETTA MOTORE |

CODICE **01186, 01187, 01188, 01189, 01190, 01191, 01192**

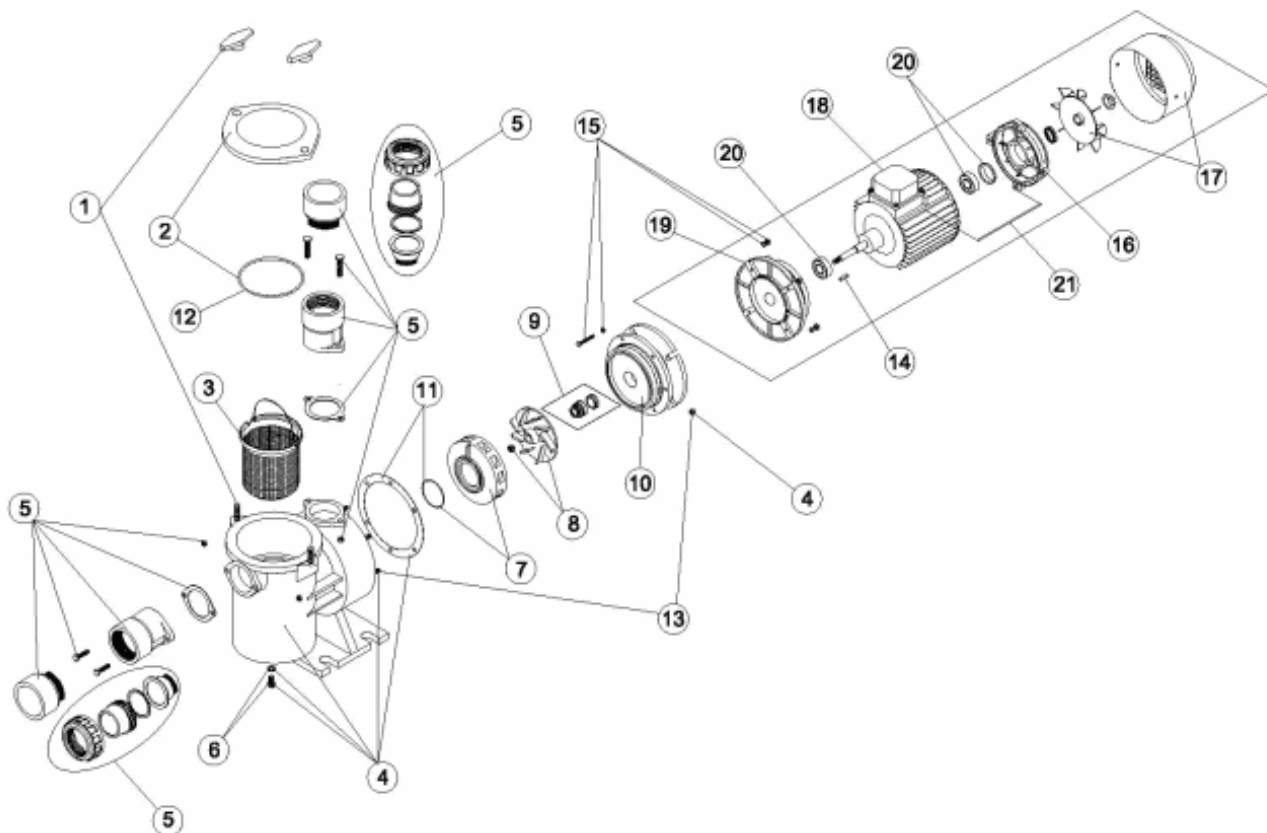
DESCRIZIONE: **POMPA SELF-PRIMMING AUTOASPIRANTE**

ITALIANO

| POS | CODICE | DESCRIZIONE | POS | CODICE | DESCRIZIONE |
|-----|------------|---------------------------------------|-----|------------|-------------------------------------|
| 15 | 4405010530 | BULLONERIA SUPPORTO MOTORE 3 - 4 HP | 19 | 4405020252 | COPERCHIO ANTERIORE MOTORE 3 - 4 HP |
| 15 | 4405010533 | BULLONERIA SUPPORTO MOTORE 5,5 HP | 19 | 4405020253 | COPERCHIO ANTERIORE MOTORE 4 HP |
| 16 | 4405020241 | COPERCHIO POSTERIORE MOTORE 2 - 4 HP | 20 | 4405020238 | CUSCINETTI 6205 ZZ C3 2-4 HP |
| 16 | 4405020242 | COPERCHIO POSTERIORE MOTORE 5,5 HP | 20 | 4405020239 | CUSCINETTO 6206 4 HP |
| 17 | 4405020244 | GRUPPO VENTILATORE + COPERCHIO 2-4 HP | 21 | 4405020320 | TIRANTE MOTORE |
| 17 | 4405020245 | GRUPPO VENTILATORE + COPERCHIO 5,5 HP | 21 | 4405020250 | TIRANTE MOTORE 3-5,5 HP |
| 18 | 4405020247 | GRUPPO MORSETTIERA 3-4 HP | | | |

CODIGO 01186, 01187, 01188, 01189, 01190, 01191, 01192

DESCRIÇÃO: BOMBA SELF-PRIMMING AUTO-ASPIRANTE



PORTUGUES

| POS | CODIGO | DESCRIÇÃO | POS | CODIGO | DESCRIÇÃO |
|-----|------------|---------------------------------|-----|------------|----------------------------------|
| 1 | 4405010501 | FECHO PRÉ-FILTRO 2HP | 8 | 4405010516 | RODÍZIO 2 HP |
| 1 | 4405010502 | FECHO PRÉ-FILTRO 3 - 5,5 HP | 8 | 4405010517 | RODÍZIO 3 HP |
| 2 | 4405010503 | TAMPA PRÉ-FILTRO 2 HP | 8 | 4405010518 | RODÍZIO 4 HP |
| 2 | 4405010504 | TAMPA PRÉ-FILTRO 3 - 5,5 HP | 8 | 4405010519 | RODÍZIO 5,5 HP |
| 3 | 4405010505 | CESTO PRÉ-FILTRO 2 HP | 9 | 4405010520 | JUNTA MECÂNICA 2-5,5 HP |
| 3 | 4405010506 | CESTO PRÉ-FILTRO 3 - 5,5 HP | 10 | 4405010521 | SUPORTE MOTOR 2 HP |
| 4 | 4405010507 | CORPO BOMBA 2 HP | 10 | 4405010522 | SUPORTE MOTOR 3 - 4 HP |
| 4 | 4405010508 | CORPO BOMBA 3 - 5,5 HP | 10 | 4405010523 | SUPORTE MOTOR 5,5 HP |
| 5 | 4405010509 | UNIÃO ASPIRAÇÃO / IMPULSÃO 2 HP | 11 | 4405010524 | JUNTAS BOMBA 2 HP |
| 5 | 4405010510 | UNIÃO ASPIRAÇÃO / IMPULSÃO 3 HP | 11 | 4405010525 | JUNTAS BOMBA 3 - 5,5 HP |
| 5 | 4405010511 | UNIÃO ASPIRAÇÃO / IMPULSÃO | 12 | 4405010526 | JUNTAS BORRACHA 2 HP |
| 6 | 4405020232 | TAMPÃO PURGA - PRÉ-FILTRO | 12 | 4405010527 | JUNTAS BORRACHA 3 - 5,5 HP |
| 7 | 4405010513 | DIFUSOR 2 HP | 13 | 4405010528 | PARAFUSOS CORPO BOMBA 2 HP |
| 7 | 4405010514 | DIFUSOR 3 HP | 13 | 4405010529 | PARAFUSOS CORPO BOMBA 3 - 5,5 HP |
| 7 | 4405010515 | DIFUSOR 4 - 5,5 HP | 14 | 4405010531 | CHAVETA MOTOR |

